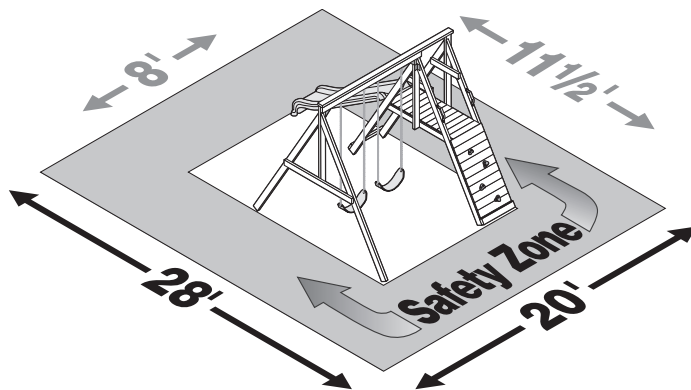




SONOMA[®]

Safety Guide & Assembly Instructions



Featured Component
(purchase separately)



PS 8813

We're Here To Help!

Call Toll Free **1-888-752-9782**
Customer Service: Monday - Friday, 8:00 A.M. to 5:00 P.M. C.S.T.

PS 7469

SAFETY

- This product is intended for single-family residential use only, by children ages two to ten and a maximum weight of 105 pounds. Any recommendation over 10 years of age or 105 pounds exceeds the upper limits specified in the American Society for Testing and Materials (ASTM) Home Playground Safety Standard. In order for PlayStar to comply with the ASTM Standard, we cannot recommend anyone above these limits.
- It is a misuse of this product when installed or used in places of public assembly such as schools or parks.
- Follow the instructions provided, do not alter its design in any way.
- Construction requires at least two adults capable of heavy lifting.
- Thoroughly read all safety instructions before beginning.
- Children must remain clear of construction site until this product is properly installed and ready for use.
- Save these instructions in the event the manufacturer has to be contacted.

The Consumer Product Safety Commission provides the following consumer information for your Home Playground Equipment

Select Protective Surfacing

One of the most important things you can do to reduce the likelihood of serious head injuries is to install shock-absorbing protective surfacing under and around your play equipment. The protective surfacing should be applied to a depth that is suitable for the equipment height in accordance with ASTM F1292. There are different types of surfacing to choose from; whichever product you select, follow these guidelines:

NOTE: Do not install home playground equipment over concrete, asphalt, packed earth, grass, carpet or any other hard surface. A fall onto a hard surface can result in serious injury or death to the equipment user. Grass and dirt are not considered protective surfacing because wear and environmental factors can reduce their shock absorbing effectiveness. Carpeting and thin mats are generally not adequate protective surfacing. Ground level equipment -- such as a sandbox, activity wall, playhouse or other equipment that has no elevated play surface -- does not need any protective surfacing.

Loose-Fill Materials

PlayStar Playsets require fall-height protection from eight feet.

- Maintain a minimum depth of 9 inches of loose-fill materials such as wood mulch / chips, engineered wood fiber (EWF), or shredded/recycled rubber mulch for

equipment up to 8 feet high. NOTE: An initial fill level of 12 inches will compress to about a 9-inch depth of surfacing over time. The surfacing will also compact, displace, and settle, and should be periodically refilled to maintain at least a 9-inch depth.

- Use containment, such as digging out around the perimeter and/or lining the perimeter with landscape edging. Don't forget to account for water drainage.
- Check and maintain the depth of the loose-fill surfacing material. To maintain the right amount of loose-fill materials, mark the correct level on play equipment support posts. That way you can easily see when to replenish and/or redistribute the surfacing.
- **Do not** install loose fill surfacing over hard surfaces such as concrete or asphalt.

Poured-In-Place Surfaces or Pre-Manufactured Rubber Tiles

You may be interested in using surfacing other than loose-fill materials -- like rubber tiles or poured-in-place surfaces.

- Installations of these surfaces generally require a professional and are not "do-it-yourself" projects.
- Review surface specifications before purchasing this type of surfacing. Ask the installer/manufacturer for a report showing that the product has been tested to the following safety standard: ASTM F1292 *Standard Specification for Impact Attenuation of Surfacing Materials within the Use Zone of Playground Equipment*. This report should show the specific height for which the surface is intended to protect against serious head injury.

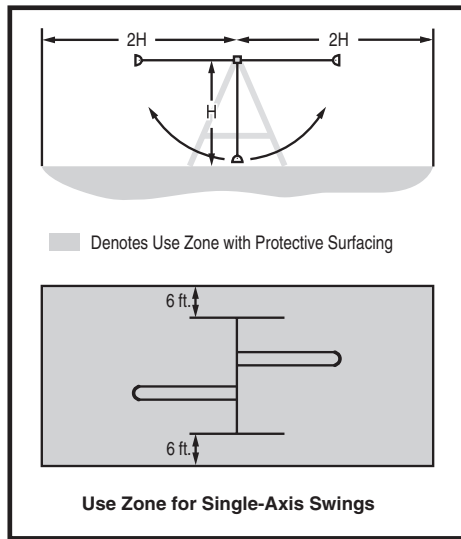
This height should be equal to or greater than the *fall height* - vertical distance between a designated play surface (*elevated surface for standing, sitting, or climbing*) and the protective surfacing below - of your play equipment.

- Check the protective surfacing frequently for wear.

Placement

Proper placement and maintenance of protective surfacing is essential. Be sure to;

- Extend surfacing at least 6 feet from the equipment in all directions.
- For to-fro swings, extend protective surfacing in front of and behind the swing to a distance equal to twice the height of the top bar from which the swing is suspended.



SAFETY

INSTALLATION:

1. Follow the instructions provided, do not alter its design in any way.
2. Place the equipment on level ground, not less than 6' (1.8m) from any structure or obstruction such as a fence, garage, house, overhanging branches, laundry lines or electrical wires. If the area where you will be installing your playset is not level, you must make it level.
3. Playsets must be anchored to the ground. Follow the anchoring instructions provided with your building kit. If soil conditions permit anchors to be pulled out easily, such as in sandy soil conditions, cementing is required.
4. Tighten all bolts securely to the intended member then cut off all protruding threaded ends of bolts with a hack saw **flush to the end of the nut** and remove sharp edges with a metal file.

WARNING: Children must not use the playset until properly installed and proper shock-absorbing surfacing material is in place.

OPERATION: *Observing and following statements and warnings reduces the likelihood of serious or fatal injury.*

1. On-site adult supervision is recommended for children of all ages.

2. Only one child, for each single planned seat or single planned activity should be allowed on this set at one time, with a maximum weight of **105 pounds** for each child.

WARNING: You must teach children the following:

- A. **Not** to walk close to, in front of, behind, or between moving items.
- B. **Not** to twist swing chains or ropes or loop them over the top support bar since this may reduce the strength of the chain or rope.
- C. **Avoid** swinging empty seats.
- D. **To Sit** in the center of the swings with their full weight on the seats.
- E. **Not** to use the equipment in a manner other than intended.
- F. **Not** to get off equipment while it is in motion.
- G. **Not** to climb when equipment is wet.
- H. **Not** to attach items to the playground equipment that are not specifically designed for use with the equipment such as, but not limited to, jump ropes, clothesline, pet leashes, cables and chain as they may cause a strangulation hazard.

1. **Remove** bike or other sports helmet before playing on the playground equipment.
3. Verify that suspended climbing ropes are secured at both ends and that they cannot be looped back on themselves.

4. Dress children appropriately and do not allow them to wear inappropriate items, such as but not limited to, loose fitting clothing, hood and neck draw strings, scarves, cord-connected items, capes, and ponchos. These items can cause death by strangulation. Provide well-fitting and full enclosure footwear. Examples of inappropriate footwear are clogs, flip flops, and sandals.
5. Verify that all suspended swinging components have at least 8" clearance between the lowest point of component and top of shock-absorbing surfacing material.

WARNING: Lawn swings are designed for use by children two years of age and older. Use by children under the age of two can result in entrapment between the seat and backrest. **NEVER** place children in a rearward facing position or with legs between the seat and backrest because the child's body may pass through the opening causing entrapment of the child's head.

DISPOSAL:

When the playset is to be retired from service, disassemble and dispose of in such a way that no unreasonable hazards will exist. Follow your local disposal requirements.

ANNUAL MAINTENANCE CHECKLIST

(Copy this section as needed and maintain for your records or visit www.playstarinc.com/maintenance)



At the beginning of play season: Date: _____

- Tighten all hardware.
- Lubricate all metallic moving parts per manufacturer's instructions.
- Check all protective coverings on bolts, pipes, edges, and corners. Replace if they are loose, cracked, or missing.
- Check all moving parts including swing seats, ropes, cables, and chains for wear, rust, or other deterioration. Replace as needed.
- Check metal parts for rust. If found, sand and repaint using a nonlead-based paint meeting the requirements of 16 CRF 1303.
- Check all wood members for deterioration and splinters. Sand down splinters and replace deteriorating wood members.
- Reinstall any plastic parts, such as swing seats or any other items that were removed for the cold season.
- Rake and check depth of loose fill protective surfacing materials to prevent compaction and to maintain appropriate depth. Replace as necessary.

Twice a month during play season: Date: _____

- Tighten all hardware.
- Check all protective coverings on bolts, pipes, edges, and corners. Replace if they are loose, cracked, or missing.
- Rake and check depth of loose fill protective surfacing materials to prevent compaction and to maintain appropriate depth. Replace as necessary.

Once a month during play season: Date: _____

- Lubricate all metallic moving parts per manufacturer's instructions.
- Check all moving parts including swing seats, ropes, cables, and chains for wear, rust, or other deterioration. Replace as needed.

At the end of each play season or when the temperature drops below 0° F: Date: _____

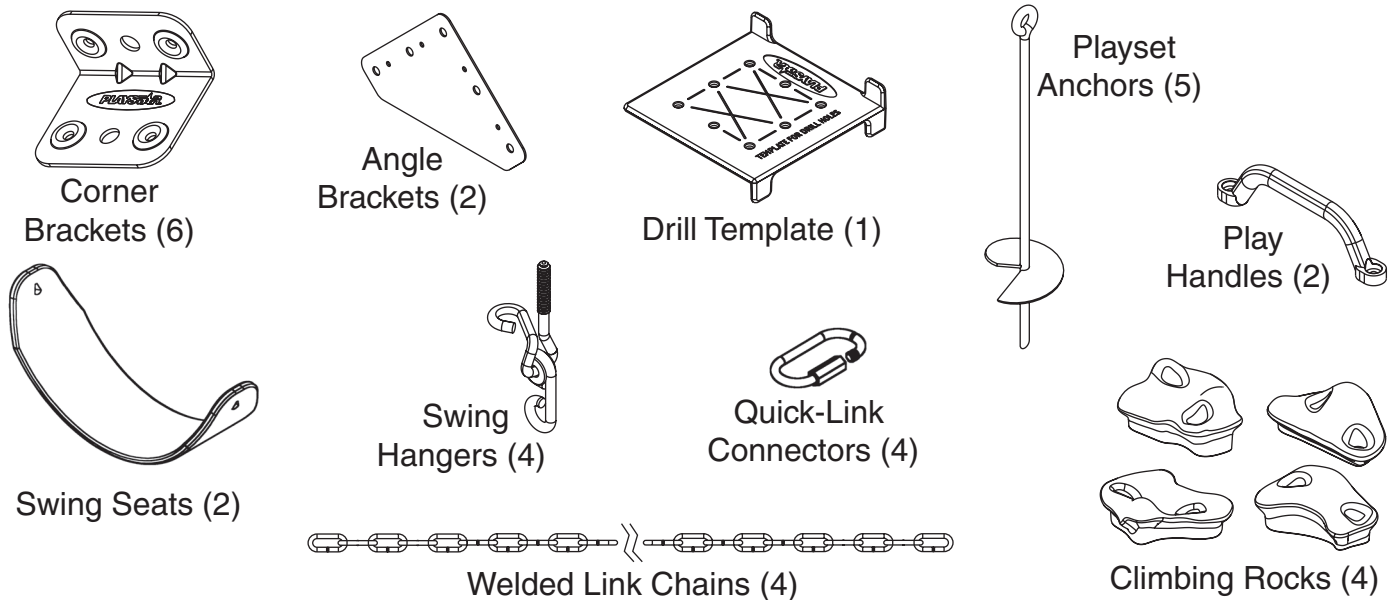
- Remove plastic swing seats and other items as specified by the manufacturer and take indoors or do not use.
- Rake and check depth of loose fill protective surfacing materials to prevent compaction and to maintain appropriate depth. Replace as necessary.

Owner shall be responsible for maintaining the legibility of any warning labels.

If any of these conditions exist, call 1-888-752-9782 for ordering information.

Clean plastic components with warm water and a mild detergent such as dish soap.

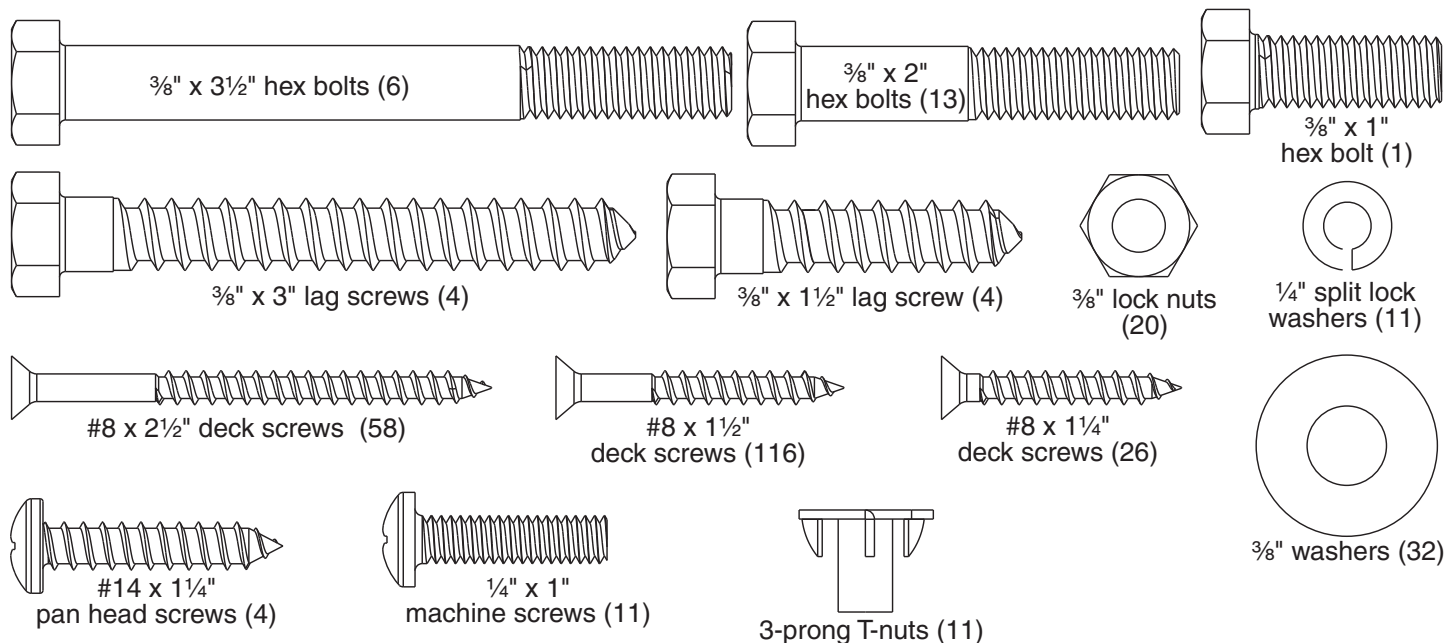
COMPONENTS INCLUDED



TOOLS REQUIRED

Level	Drill	9/16" Socket	Scissors
Square	1/8", 1/4" and 3/8" Drill Bits	Screwdriver (regular or phillips)	Sawhorses (optional)
Pencil	9/16" or Adjustable Wrench	Tape Measure	Shovel
Hammer	Socket Wrench	Safety Glasses	Ladder

HARDWARE INCLUDED (shown actual size)

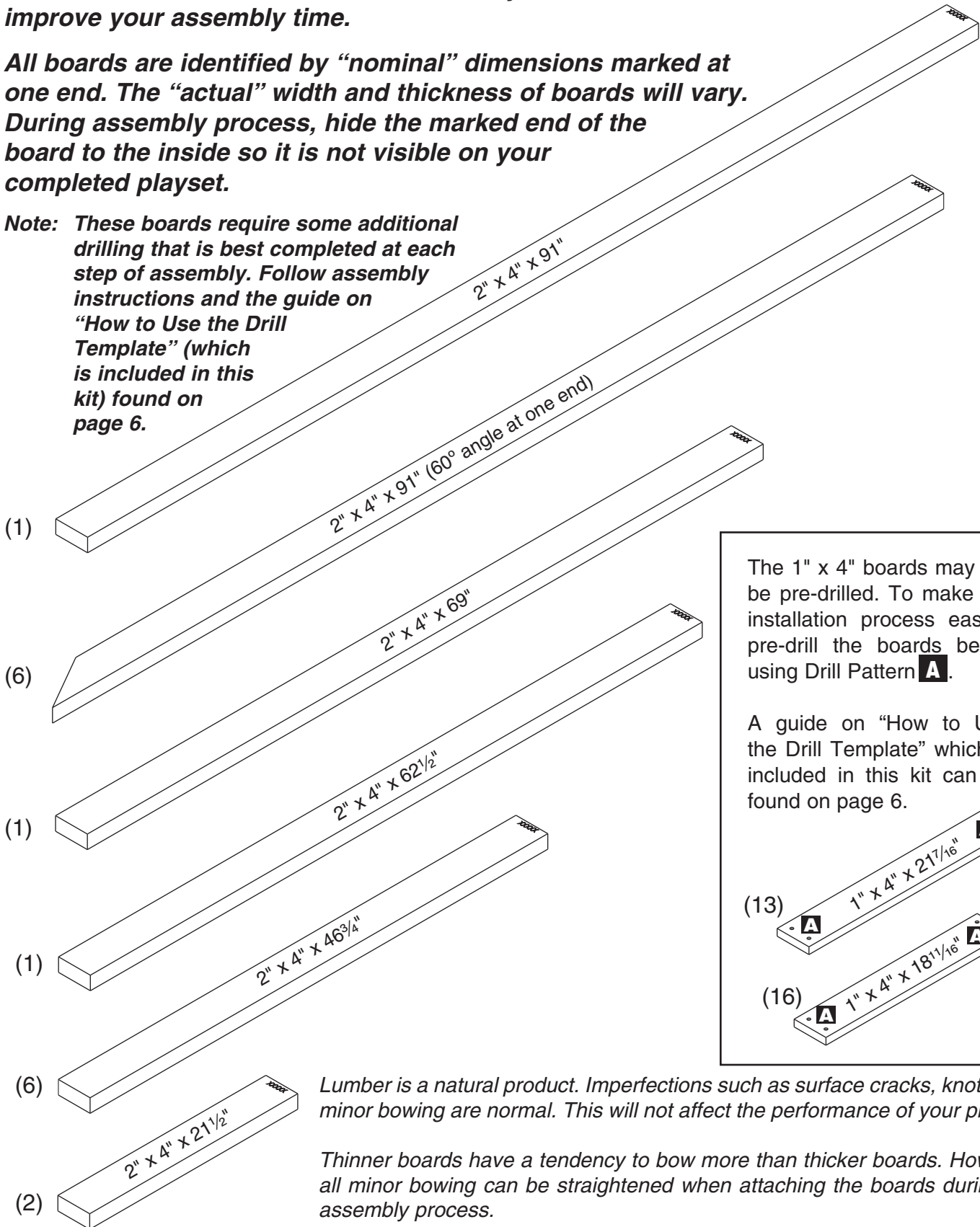


BOARDS INCLUDED

Before starting to assemble your playset, make sure all boards and hardware are identified and stacked by size. This will improve your assembly time.

All boards are identified by “nominal” dimensions marked at one end. The “actual” width and thickness of boards will vary. During assembly process, hide the marked end of the board to the inside so it is not visible on your completed playset.

Note: These boards require some additional drilling that is best completed at each step of assembly. Follow assembly instructions and the guide on “How to Use the Drill Template” (which is included in this kit) found on page 6.



The 1" x 4" boards may not be pre-drilled. To make the installation process easier, pre-drill the boards below using Drill Pattern **A**.

A guide on “How to Use the Drill Template” which is included in this kit can be found on page 6.

(13) 1" x 4" x 21⁷/₁₆" **A**

(16) 1" x 4" x 18¹/₁₆" **A**

Lumber is a natural product. Imperfections such as surface cracks, knots, and minor bowing are normal. This will not affect the performance of your playset.

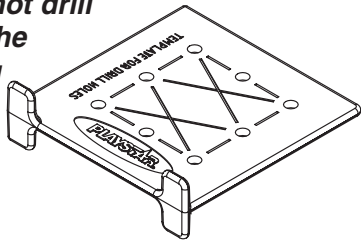
Thinner boards have a tendency to bow more than thicker boards. However, all minor bowing can be straightened when attaching the boards during the assembly process.

TEMPLATE and DRILLING INSTRUCTIONS

Your building kit includes a **Drill Template** to help you create some of the pilot holes needed to build your playset.

Position the template and mark only the holes that need to be drilled according to the patterns shown below. Remove the template before drilling.

WARNING: Do not drill holes through the template as you may damage the template.



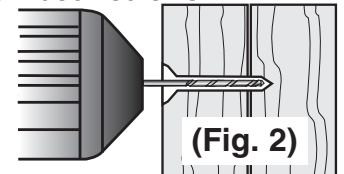
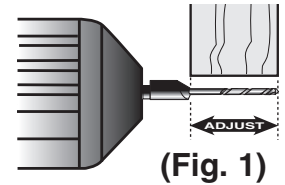
Set the drill bit depth in the $\frac{1}{8}$ " drill bit/countersink tool to the thickness of the board. (Fig. 1)

Drill locations as marked.

Warning: Do not countersink deeper than the depth of the screw head.

In the assembly instructions, you will be asked to attach predrilled boards with #8 x 2½" deck screws.

To make this process easier, use the predrilled boards as templates for drilling pilot holes into the second boards. (Fig. 2)



Note: A second drill will make this process easier by eliminating multiple changes between drill bit and countersink tool.

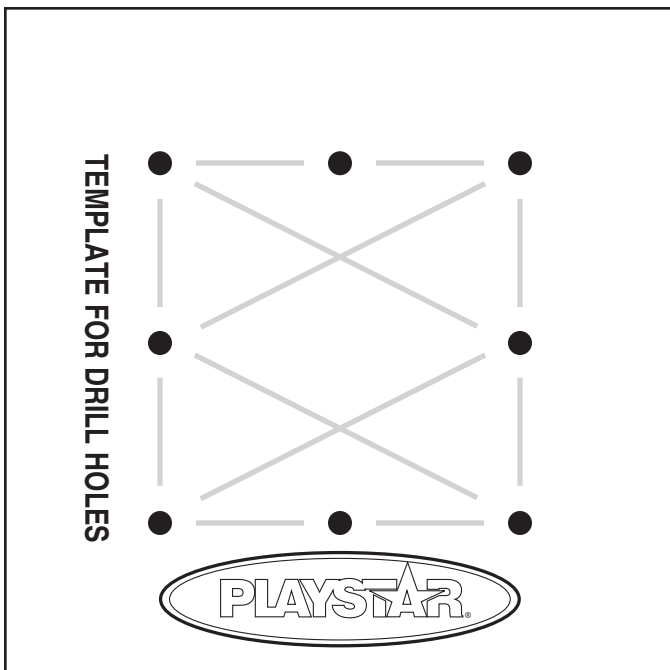
PLEASE NOTE: Letters represent pattern not position

Hole Patterns **A** **B**

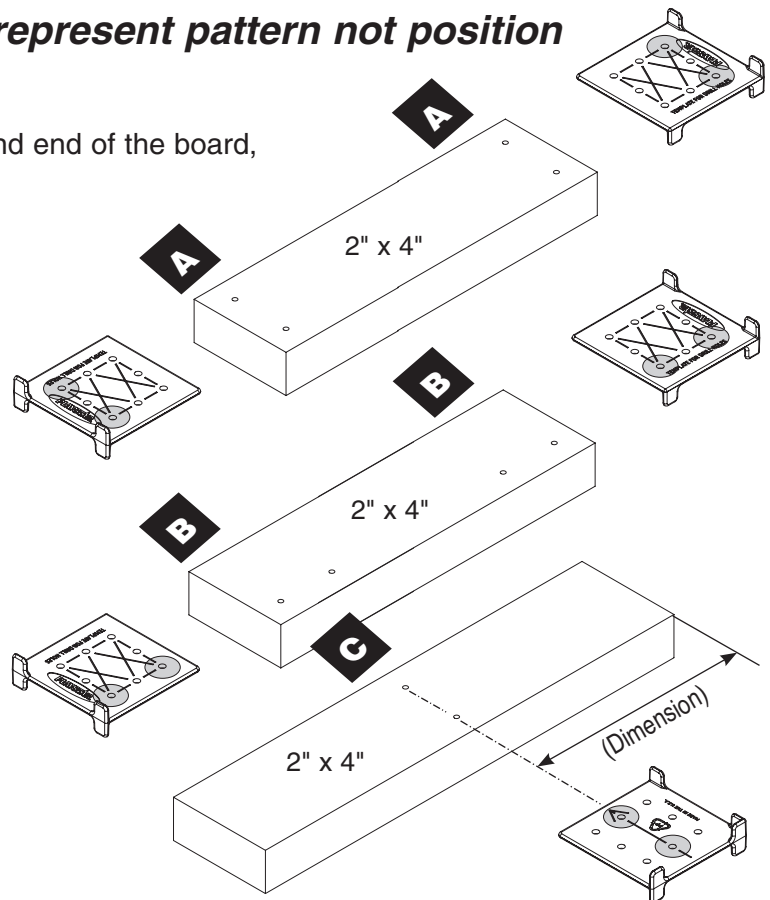
Make sure that the tabs are tight against the side and end of the board, mark the holes highlighted for pattern needed.

Note: If you are marking the left side of the board, the PlayStar Logo is at the left edge of the board. If you are marking the right side of the board, the PlayStar Logo is at the right edge of the board.

The rigid version of the template like the one shown here can be found inside one of the hardware bags.



Actual Size Template



Hole Pattern **C**

There are steps in the assembly of your playset that will ask you to drill holes that are not at the end of a board. Measure and mark your board at the given dimension specified at that step. Flip the template over so that the arrow is up and line the arrow up with the mark you made at the given dimension. Make sure the tabs are tight against the side of the board, mark the holes highlighted for pattern needed.

SUPPORT ASSEMBLY

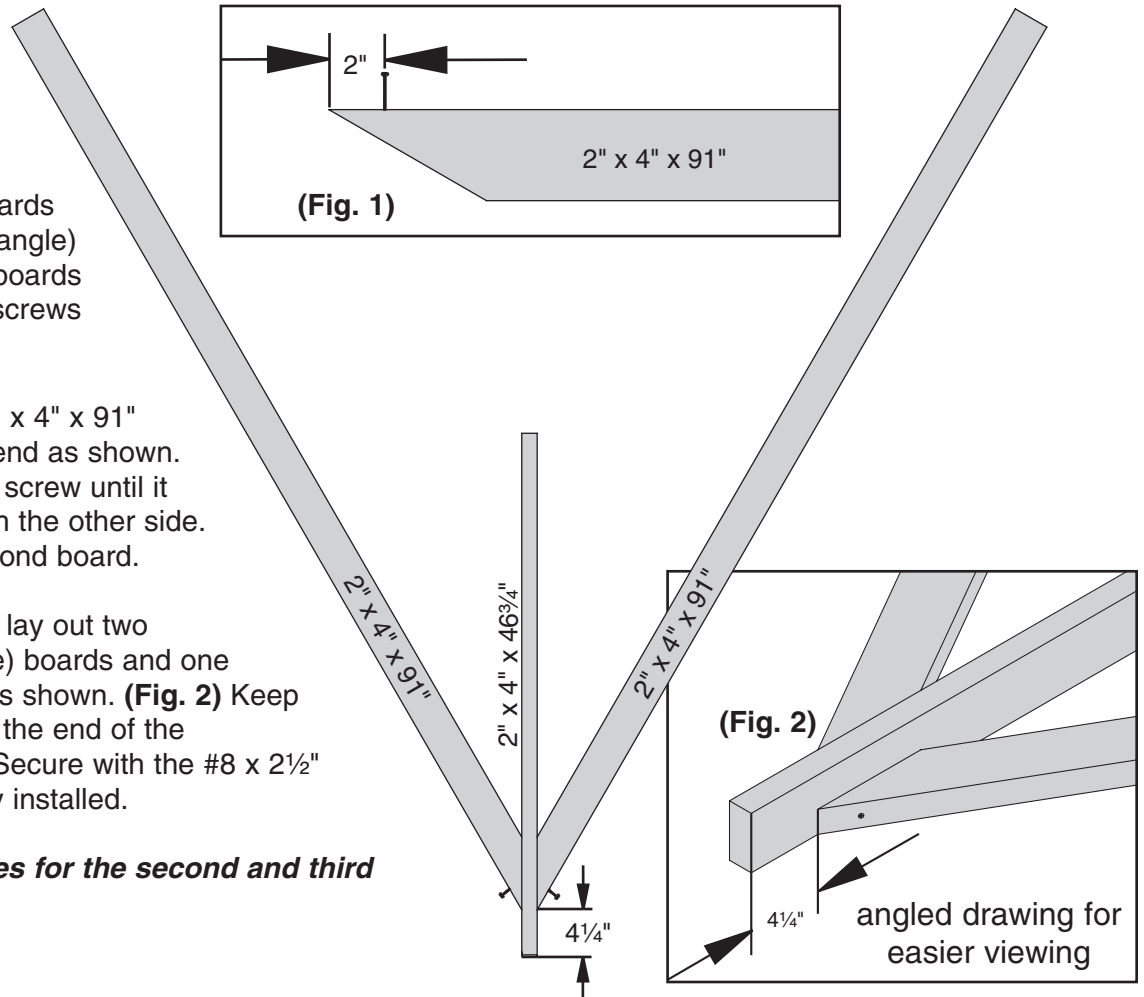
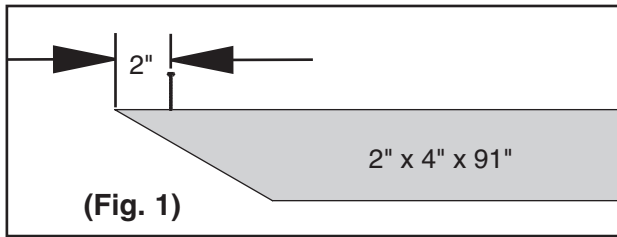
Items for STEP 1:

- (6) 2" x 4" x 91" boards
(1 end has 60° angle)
- (3) 2" x 4" x 46³/₄" boards
- (6) #8 x 2¹/₂" deck screws

Drill ¹/₈" hole into the 2" x 4" x 91" board 2" from the 60° end as shown. Insert a #8 x 2¹/₂" deck screw until it begins to come through the other side. **(Fig. 1)** Repeat for second board.

On a flat work surface, lay out two 2" x 4" x 91" (60° angle) boards and one 2" x 4" x 46³/₄" board as shown. **(Fig. 2)** Keep the 60° ends 4¹/₄" from the end of the 2" x 4" x 46³/₄" board. Secure with the #8 x 2¹/₂" deck screws previously installed.

Repeat two more times for the second and third support assemblies.



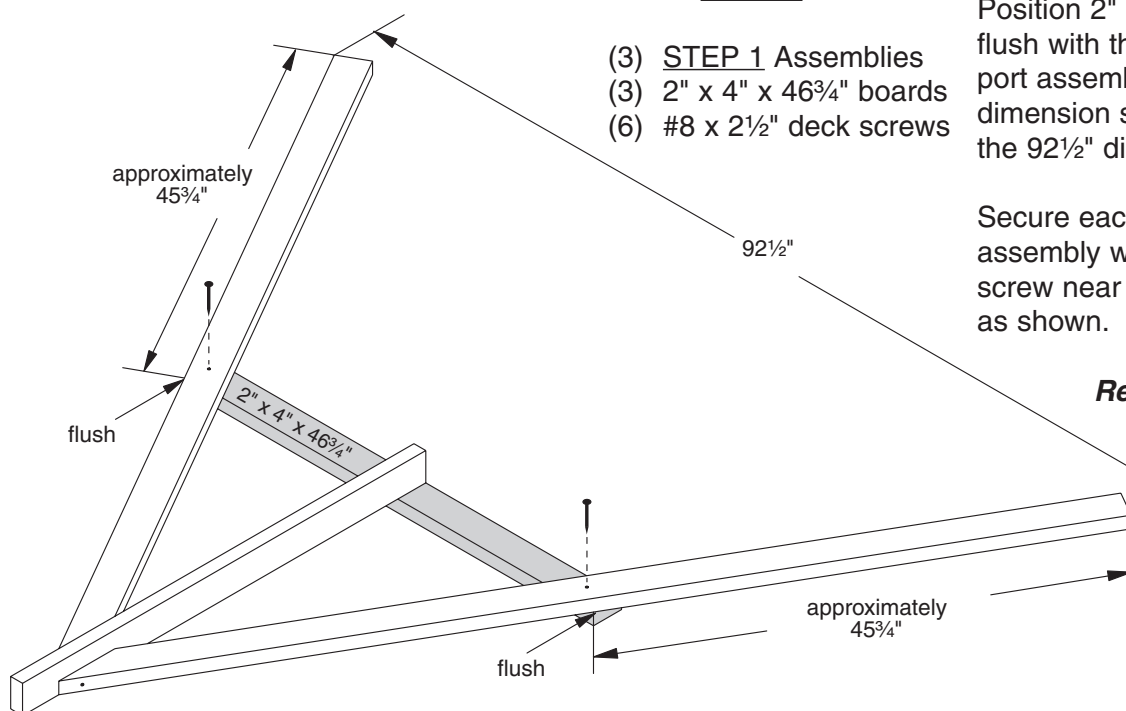
Items for STEP 2:

- (3) STEP 1 Assemblies
- (3) 2" x 4" x 46³/₄" boards
- (6) #8 x 2¹/₂" deck screws

Position 2" x 4" x 46³/₄" board flush with the edges of the support assembly at the approximate dimension shown while maintaining the 92¹/₂" dimension.

Secure each side of the support assembly with one #8 x 2¹/₂" deck screw near the center of the board as shown.

Repeat two more times for the second and third support assemblies.



Items for STEP 3:

- (6) Corner Brackets
- (18) #8 x 2½" deck screws
- (18) #8 x 1¼" deck screws
- (9) ⅜" x 2" hex bolts
- (6) ⅜" washers
- (9) ⅜" lock nuts

Attach corner brackets.

Position brackets so that the short sides are against the 2" x 4" x 46¾" boards at dimension shown. Use the bracket as a drill guide and drill ⅛" holes 1" deep into the boards. Attach with three #8 x 1¼" deck screws only at locations shown. **(Fig. 1)**

Use brackets as a drill guide and drill ⅜" holes completely through the boards. Secure with ⅜" x 2" hex bolts, ⅜" washers and ⅜" lock nuts. **(Fig. 2)**

Flip assembly over. Secure 2" x 4" x 46¾" board with #8 x 2½" deck screws. **(Fig. 3)**

Repeat two more times for second and third assemblies.

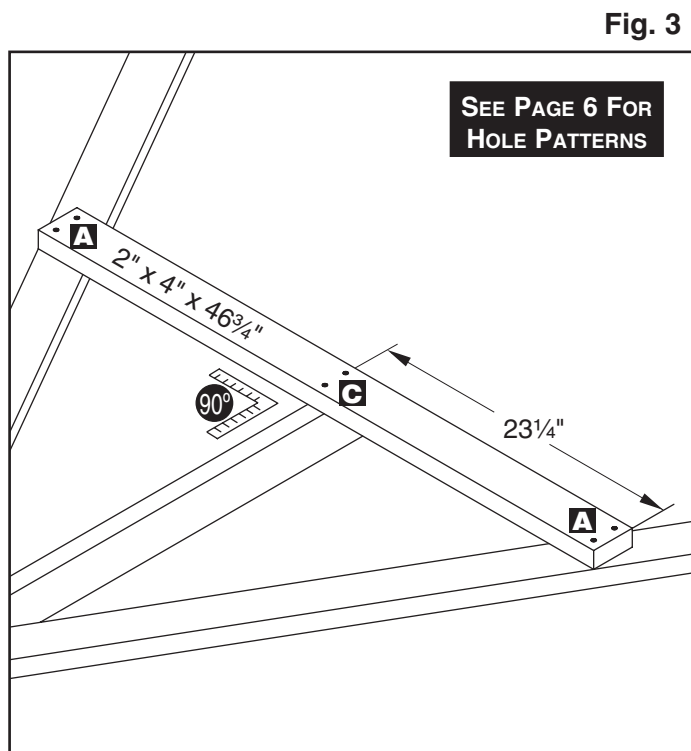
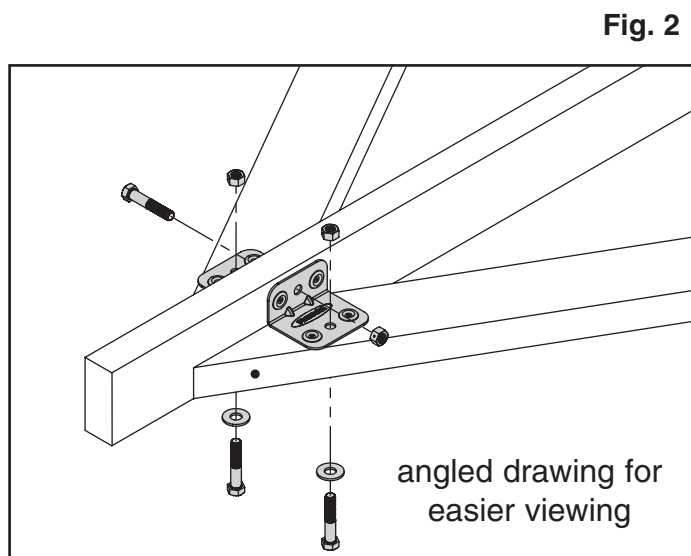
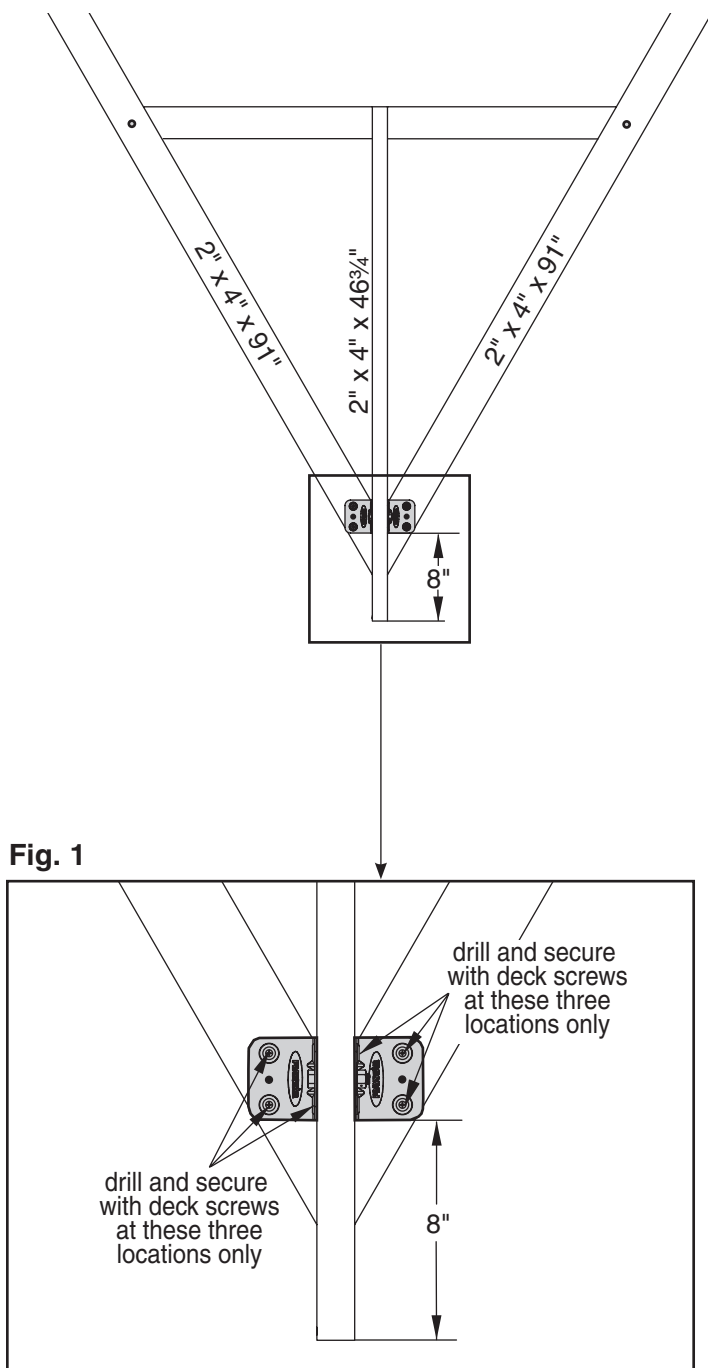


Fig. 1

Fig. 2

Fig. 3

SEE PAGE 6 FOR HOLE PATTERNS

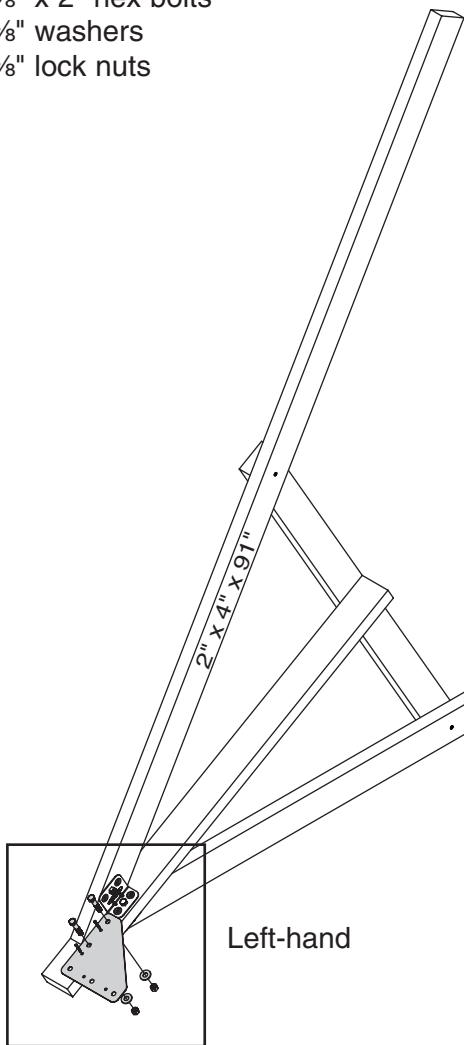
Items for STEP 4:

- (2) STEP 3 Assemblies
- (2) Angle brackets
- (4) #8 x 1 1/4" deck screws
- (4) 3/8" x 2" hex bolts
- (4) 3/8" washers
- (4) 3/8" lock nuts

Position angle bracket so it is tight against 2" x 4" x 91" board and tight against corner bracket as shown for left hand and right hand assemblies. **(Fig. 1 and 2)** Secure with two #8 x 1 1/4" deck screws.

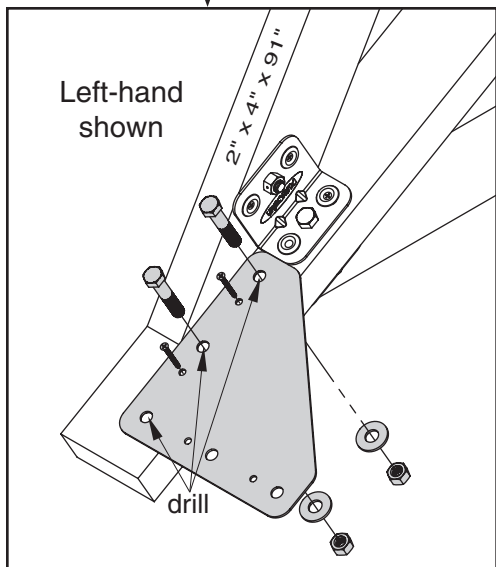
Use bracket as a drill guide and drill three 3/8" holes through the board as shown. Secure the angle bracket with 3/8" x 2" hex bolts, 3/8" washers and 3/8" lock nuts at the two locations shown. The third hole will be bolted at a later step.

Complete one left-hand and one right-hand support assembly. The third support assembly does not require an angle bracket as you will see in a later step.

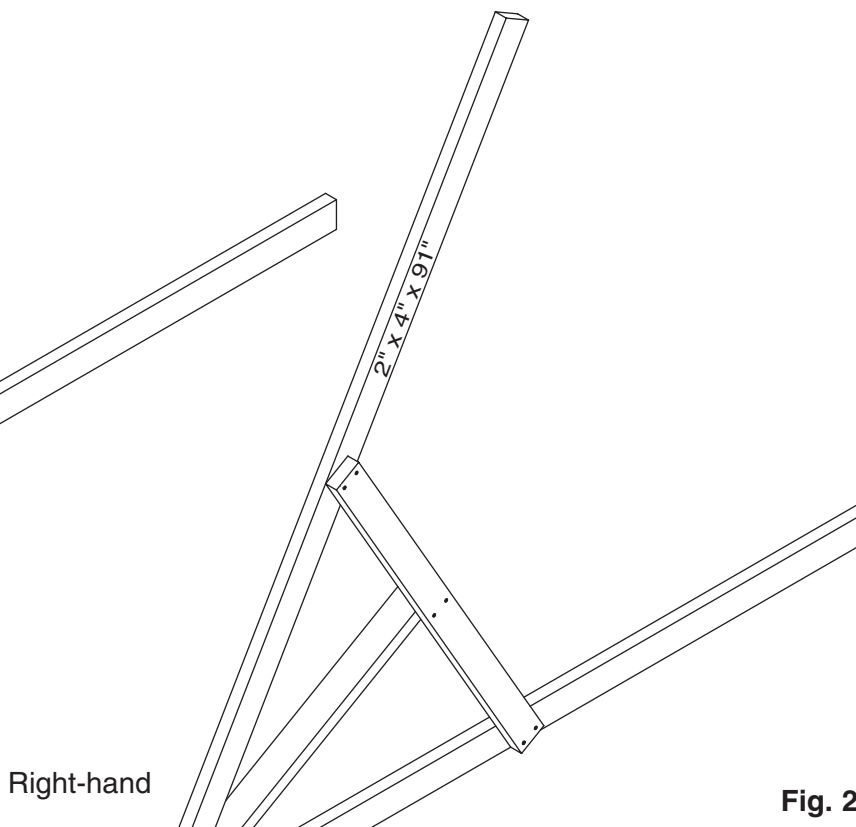


Left-hand

Fig. 1

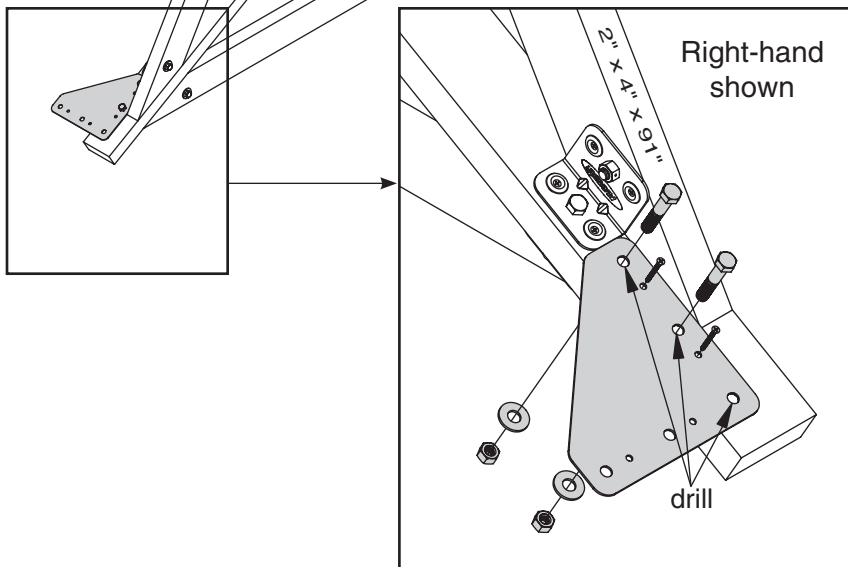


Left-hand shown



Right-hand

Fig. 2



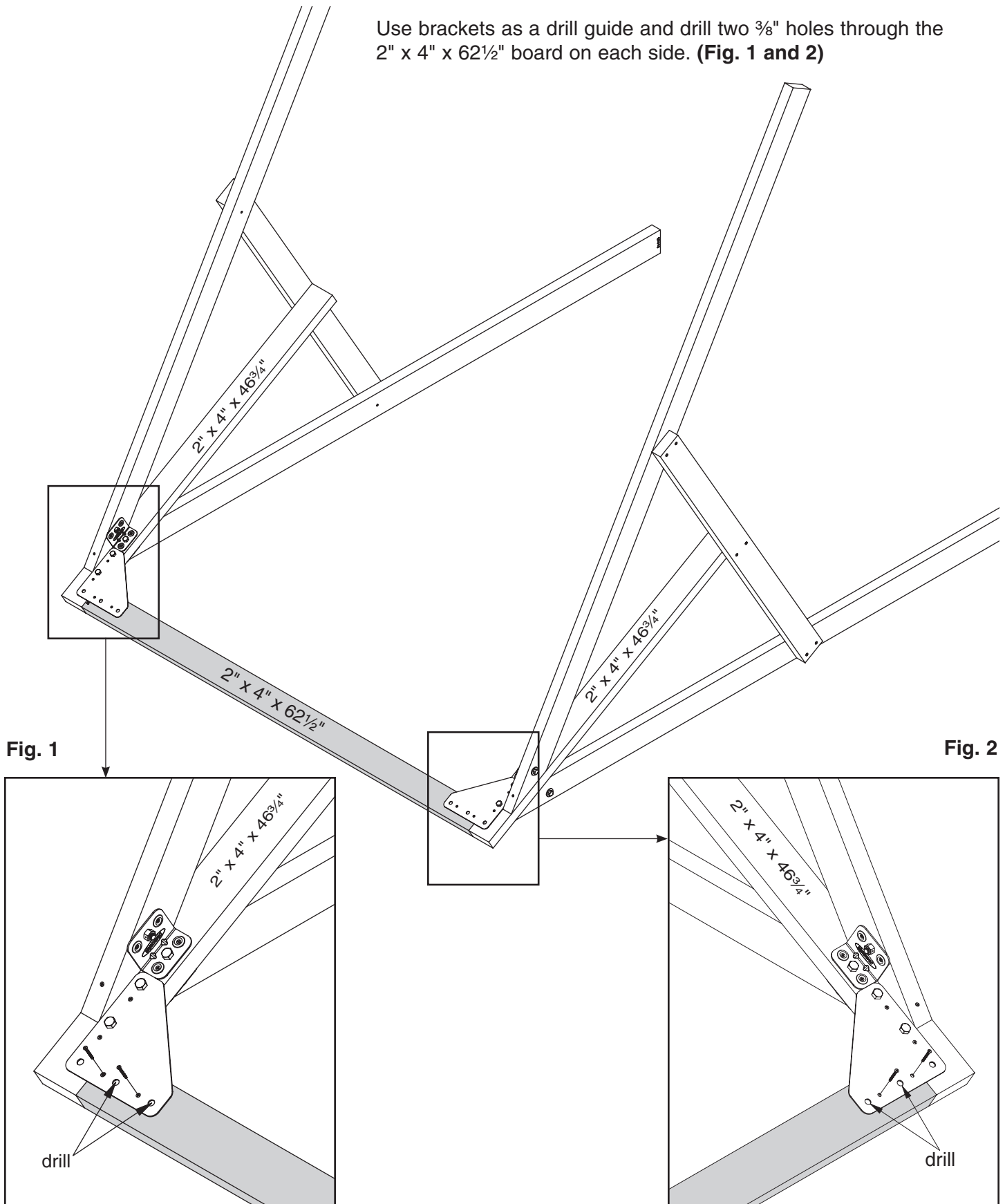
Right-hand shown

Items for STEP 5:

- (1) 2" x 4" x 62½" board
- (4) #8 x 1¼" deck screws

Position 2" x 4" x 62½" board as shown. Make sure both ends of the 2" x 4" x 62½" board are flush with the 2" x 4" x 46¾" board on each support assembly. Drill and secure each side with two #8 x 1¼" deck screws.

Use brackets as a drill guide and drill two ¾" holes through the 2" x 4" x 62½" board on each side. **(Fig. 1 and 2)**



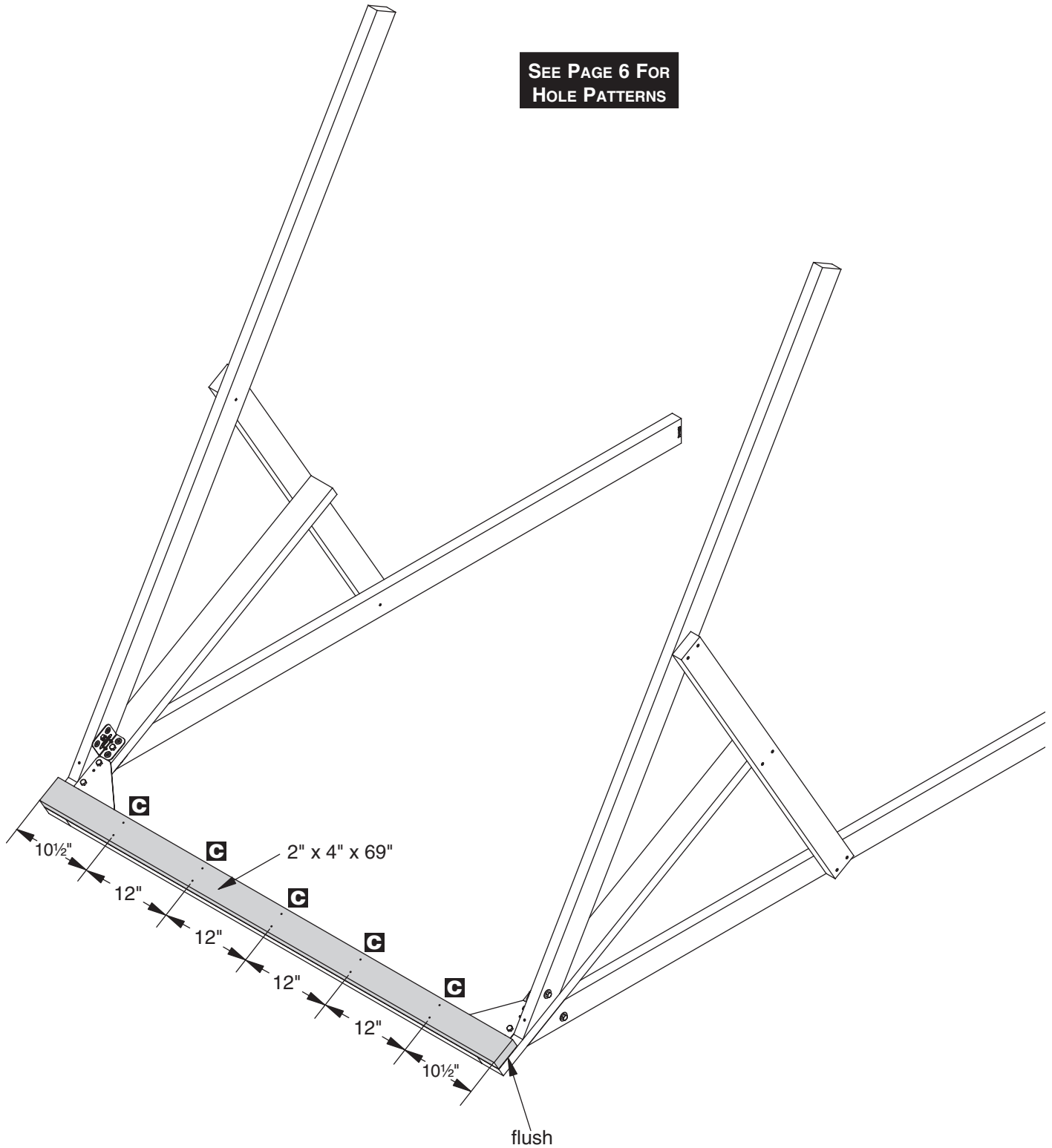
Items for STEP 6:

- (1) 2" x 4" x 69" board
- (10) #8 x 2½" deck screws

Position 2" x 4" x 69" board directly on top of bottom board flush with one end of the support assembly as shown.

Drill the 2" x 4" x 69" board at dimensions shown. Secure with #8 x 2½" deck screws.

**SEE PAGE 6 FOR
HOLE PATTERNS**



Items for STEP 7:

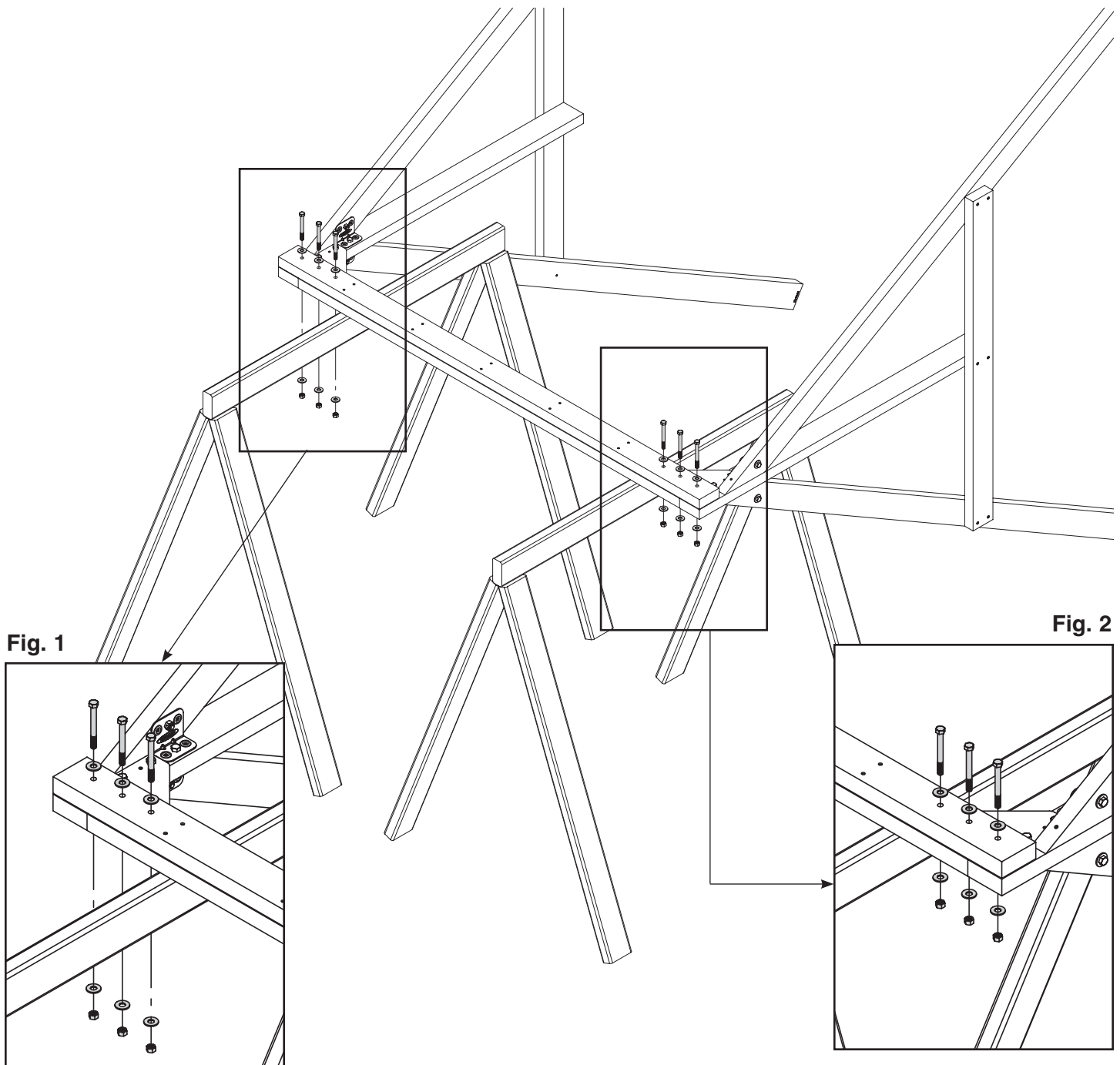
- (6) $\frac{3}{8}$ " x $3\frac{1}{2}$ " hex bolts
- (6) $\frac{3}{8}$ " lock nuts
- (12) $\frac{3}{8}$ " washers

Lift assembly onto sawhorses as shown.

Note: *If you do not have saw horses, rest beam on ground and rotate support assemblies simultaneously to the other side (requires two adults).*

From the bottom side use the six $\frac{3}{8}$ " holes in the bottom board as a drill guide and drill $\frac{3}{8}$ " holes back through both boards.

Attach with $\frac{3}{8}$ " x $3\frac{1}{2}$ " hex bolts, $\frac{3}{8}$ " washers and $\frac{3}{8}$ " lock nuts at the six locations. **(Fig. 1 and 2)**



Items for STEP 8:

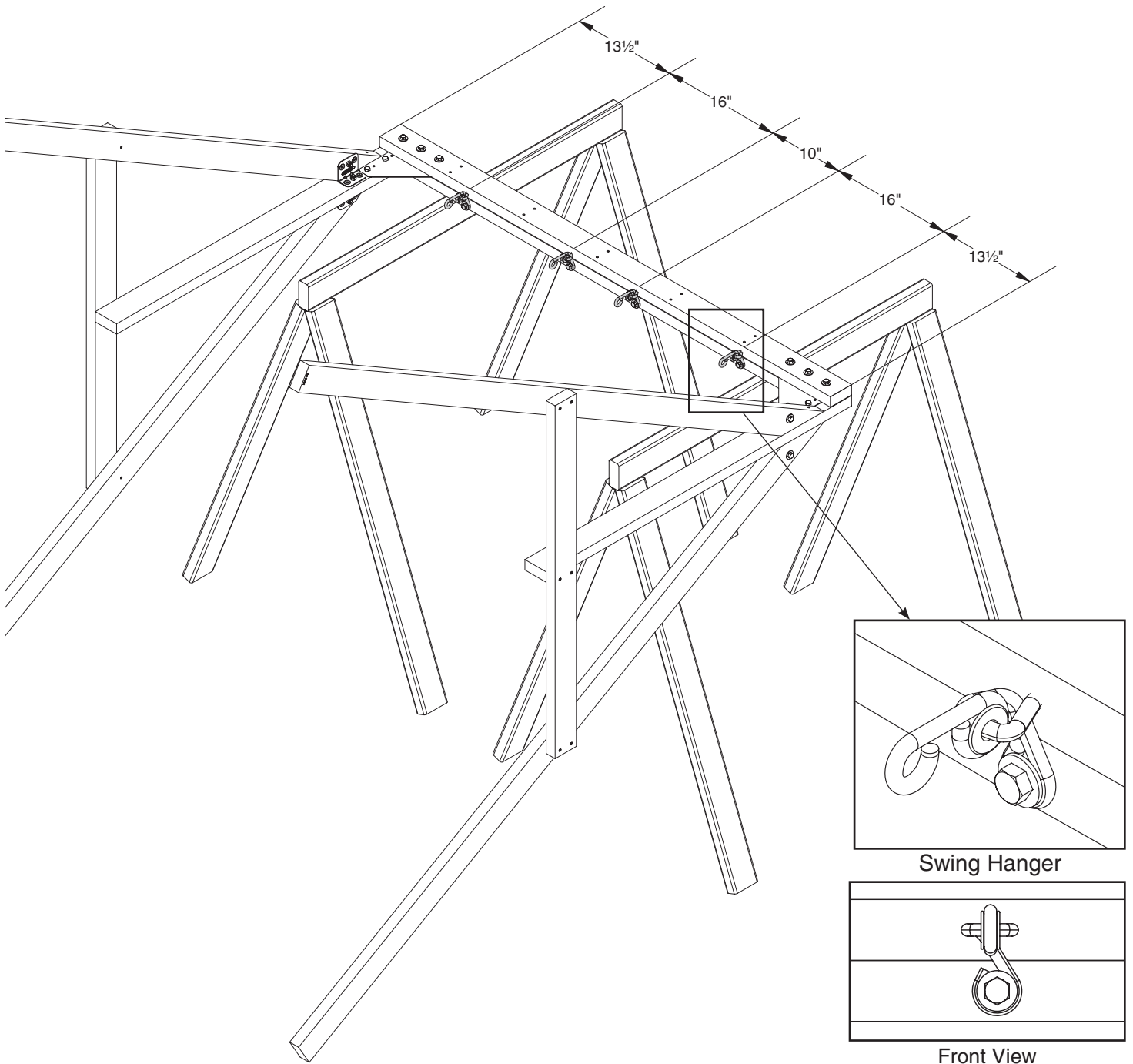
- (4) Swing Hangers
- (4) $\frac{3}{8}$ " x 3" lag screws
- (4) $\frac{3}{8}$ " washers

For swing hanger locations, mark the top beam board, on the bottom edge, at the dimensions shown.

Drill a $\frac{1}{4}$ " hole $2\frac{1}{2}$ " deep in the center of the four swing hanger locations.

Screw Swing Hangers into beam by hand (a long screwdriver will help). Tighten Swing Hanger until loop is tight against adjoining beam and Swing Hanger is parallel with beam.

Drill another $\frac{1}{4}$ " hole $2\frac{1}{2}$ " deep in adjoining beam through Swing Hanger loop and secure each Swing Hanger with one $\frac{3}{8}$ " x 3" lag screw and $\frac{3}{8}$ " washer.



Items for STEP 9:

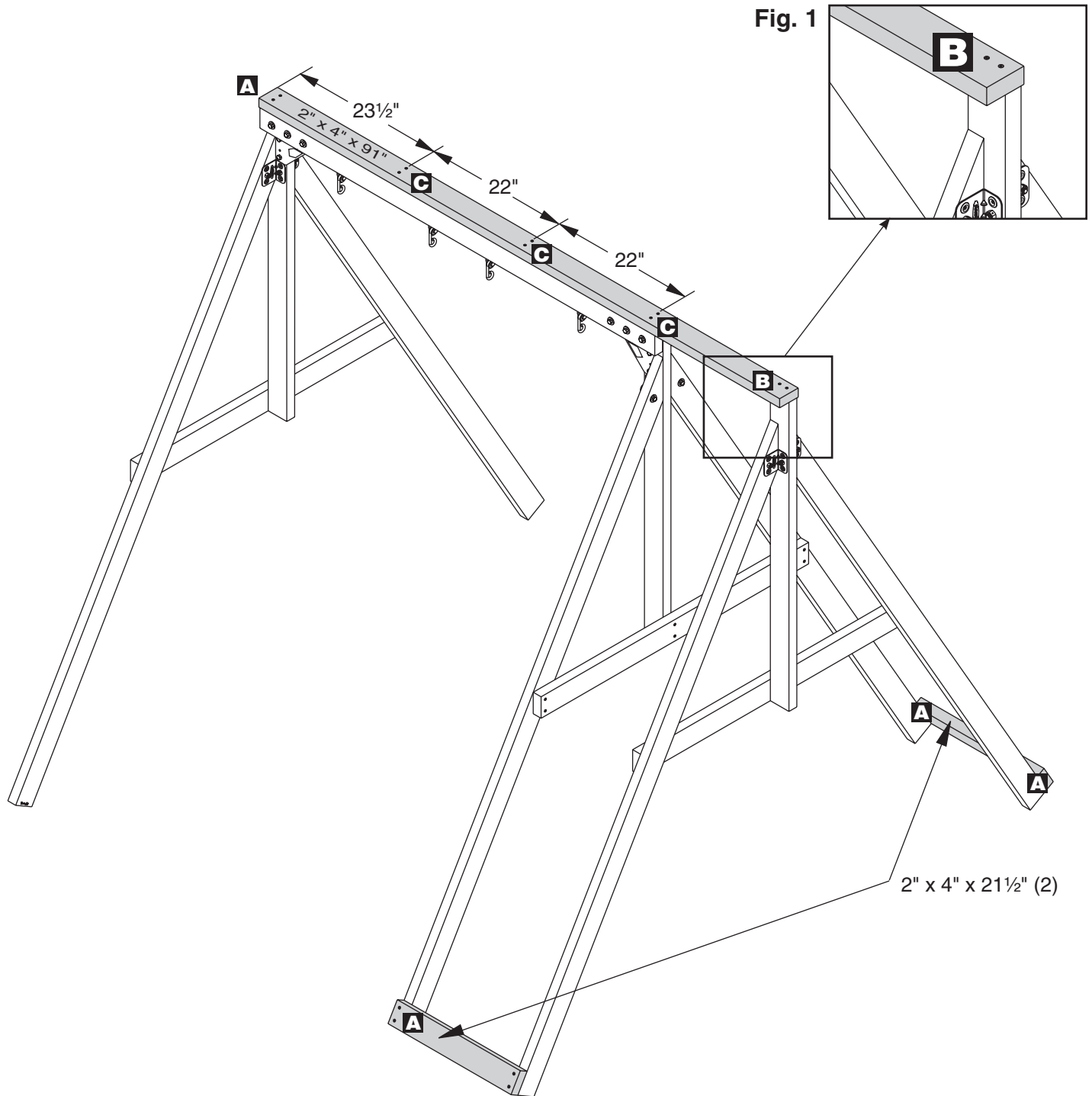
- (1) 2" x 4" x 91"
- (2) 2" x 4" x 21½"
- (18) #8 x 2½" deck screws

Position 2" x 4" x 91" board centered over the top swing beam as shown. Secure with two #8 x 2½" deck screws at each location.

Position third support assembly as shown and secure with two #8 x 2½" deck screws. **(Fig. 1)**

Attach 2" x 4" x 21½" boards as shown. Secure with #8 x 2½" deck screws.

Fig. 1



**SEE PAGE 6 FOR
HOLE PATTERNS**

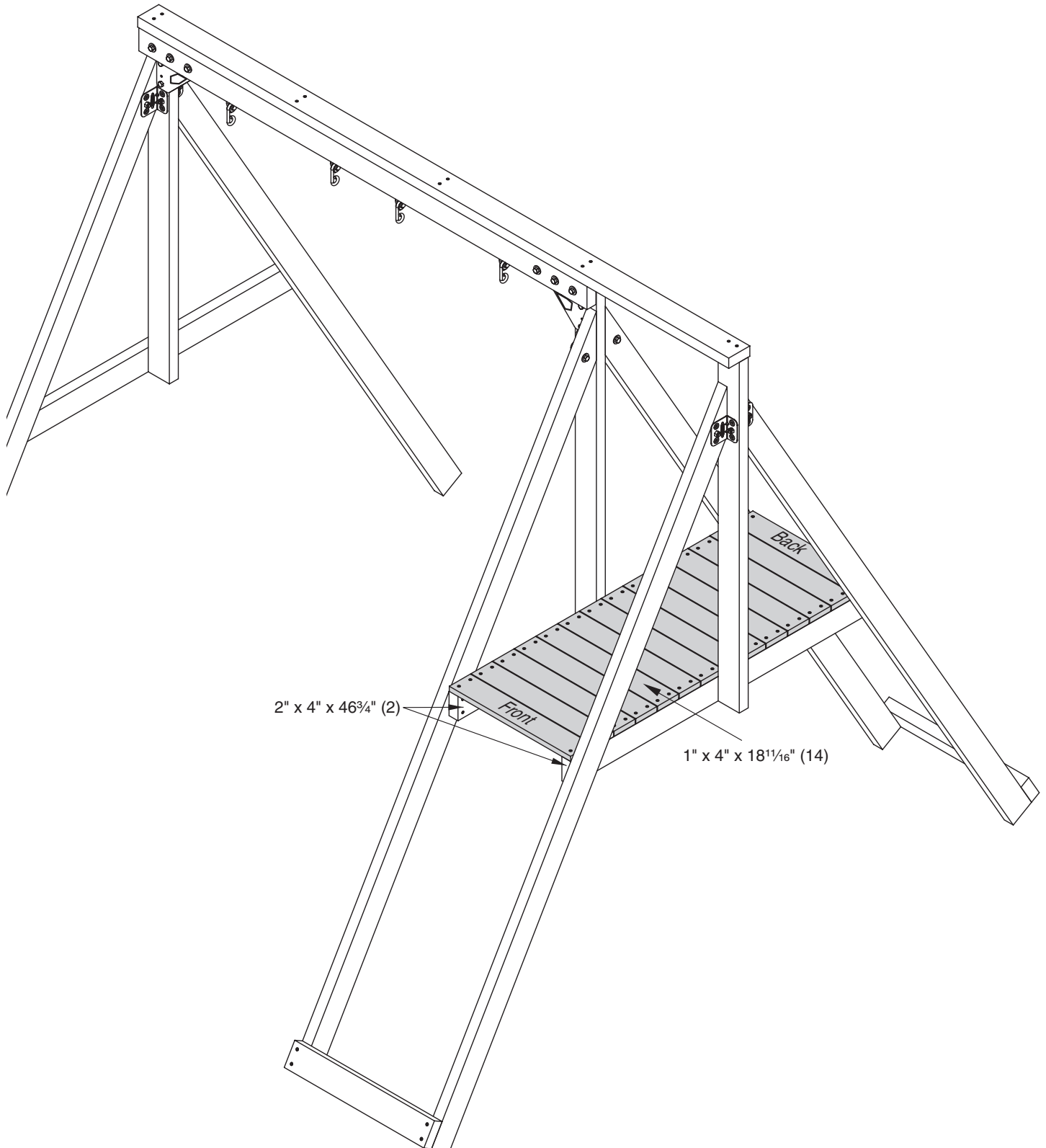
Items for STEP 10:

- (14) 1" x 4" x 18¹¹/₁₆"
- (56) #8 x 1¹/₂" deck screws

Attach fourteen pre-drilled 1" x 4" x 18¹¹/₁₆" boards.

Attach the front and back boards flush with the 2" x 4" x 46³/₄" boards and equally space the remaining boards. Secure all boards with #8 x 1¹/₂" deck screws.

Note: *Gap between boards must be less than 1/4" or a finger entrapment could exist.*

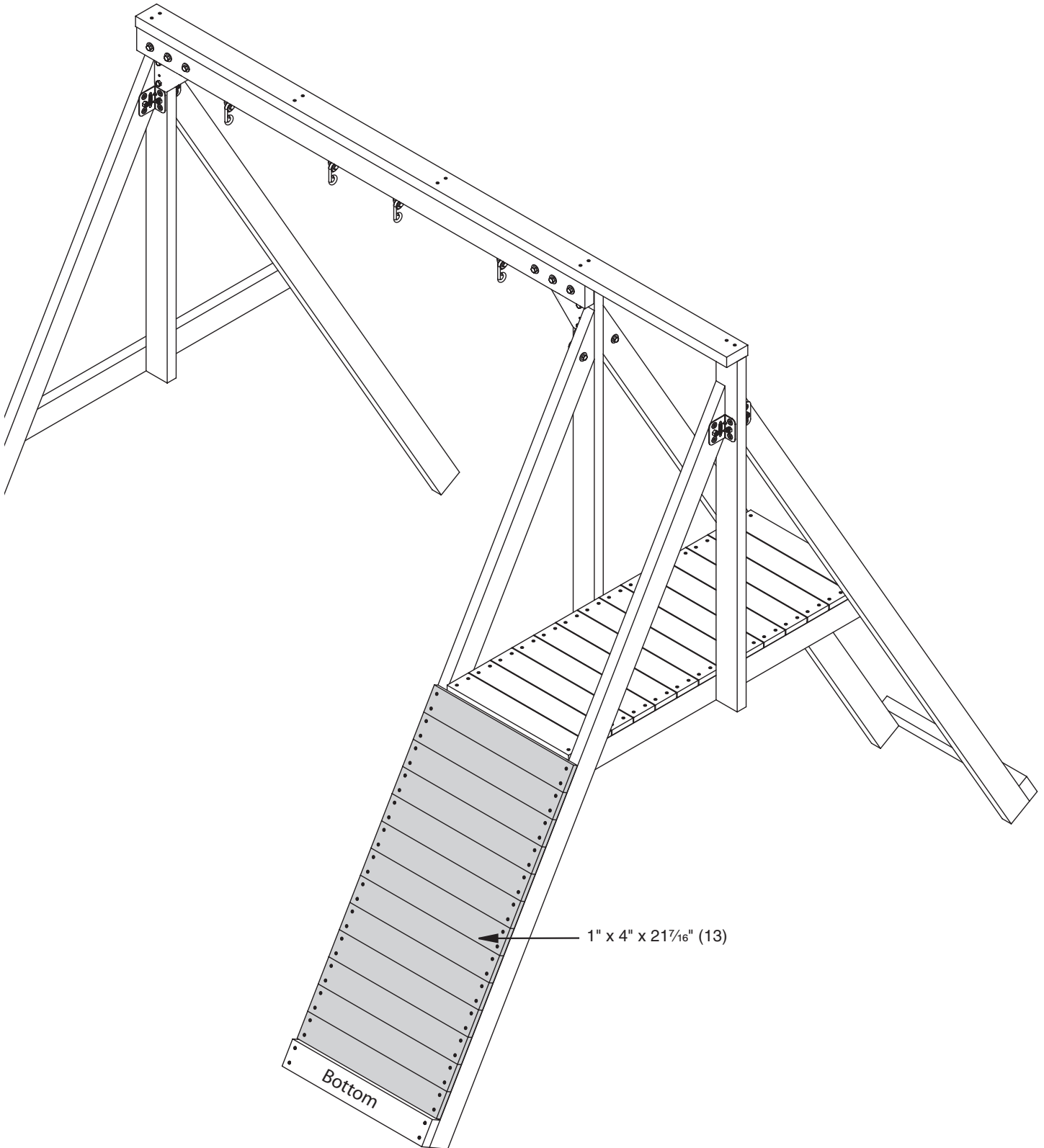


Items for STEP 11:

- (13) 1" x 4" x 21⁷/₁₆"
- (52) #8 x 1¹/₂" deck screws

Attach thirteen pre-drilled 1" x 4" x 21⁷/₁₆" boards above the bottom board you attached in STEP 9. Start at the bottom and keep boards tight to each other. Secure with #8 x 1¹/₂" deck screws.

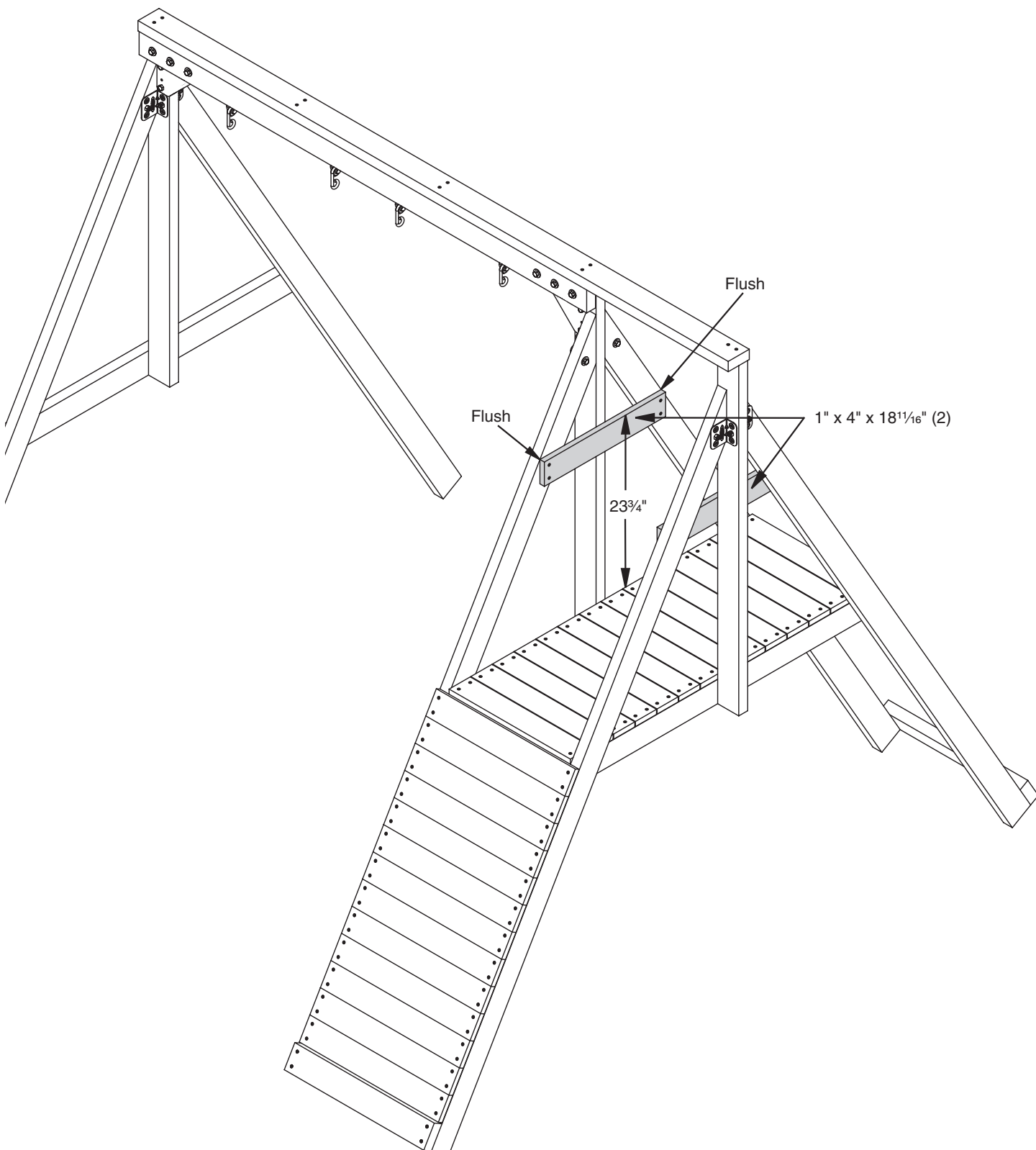
Note: *Make sure the top board is not above the deck or a tripping hazard could exist.*



Items for STEP 12:

- (2) 1" x 4" x 18¹/₁₆"
- (8) #8 x 1¹/₂" deck screws

Position two pre-drilled 1" x 4" x 18¹/₁₆" boards flush with both edges of support assemblies at the approximate dimension shown. Secure with #8 x 1¹/₂" deck screws.



ANCHORING

Items for STEP 13:

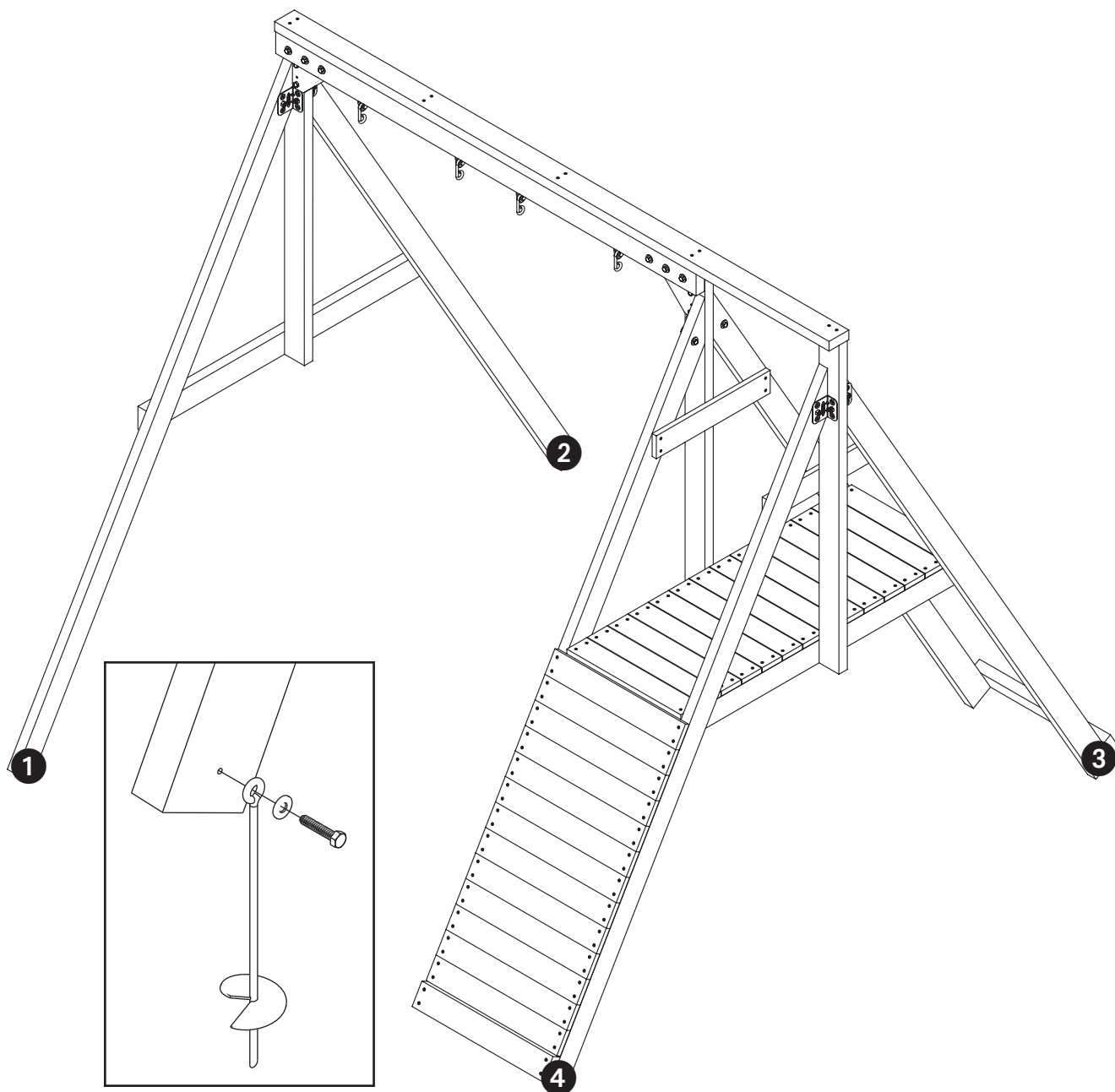
- (4) Playset Anchors
- (4) $\frac{3}{8}$ " x $1\frac{1}{2}$ " lag screws
- (4) $\frac{3}{8}$ " washers

At locations shown screw Playset Anchors into ground by hand (a long screwdriver will help).

Use the anchor as a drill guide and drill a $\frac{1}{4}$ " hole 1" deep into the board. Attach with $\frac{3}{8}$ " x $1\frac{1}{2}$ " lag screw and $\frac{3}{8}$ " washer.

Note: *If soil conditions permit anchors to be pulled out easily, such as in sandy soil conditions, cementing is required. If your ground is too hard to screw in the anchors, or you are having trouble lining up anchor with existing hole in tower, you can remove the earth with a shovel. Install the anchors and compact the earth as you replace it. Anchors must be placed below the level of the shock-absorbing surfacing material to prevent tripping or injury resulting from a fall.*

Reminder: *Be sure to install proper shock-absorbing surfacing material. Refer to the Safety Guidelines at the beginning of this plan.*



Items for **STEP 14:**

- (1) Slide
- (3) 1/4" x 1" machine screws
- (3) 1/4" T-nuts
- (3) 1/4" split lock washer

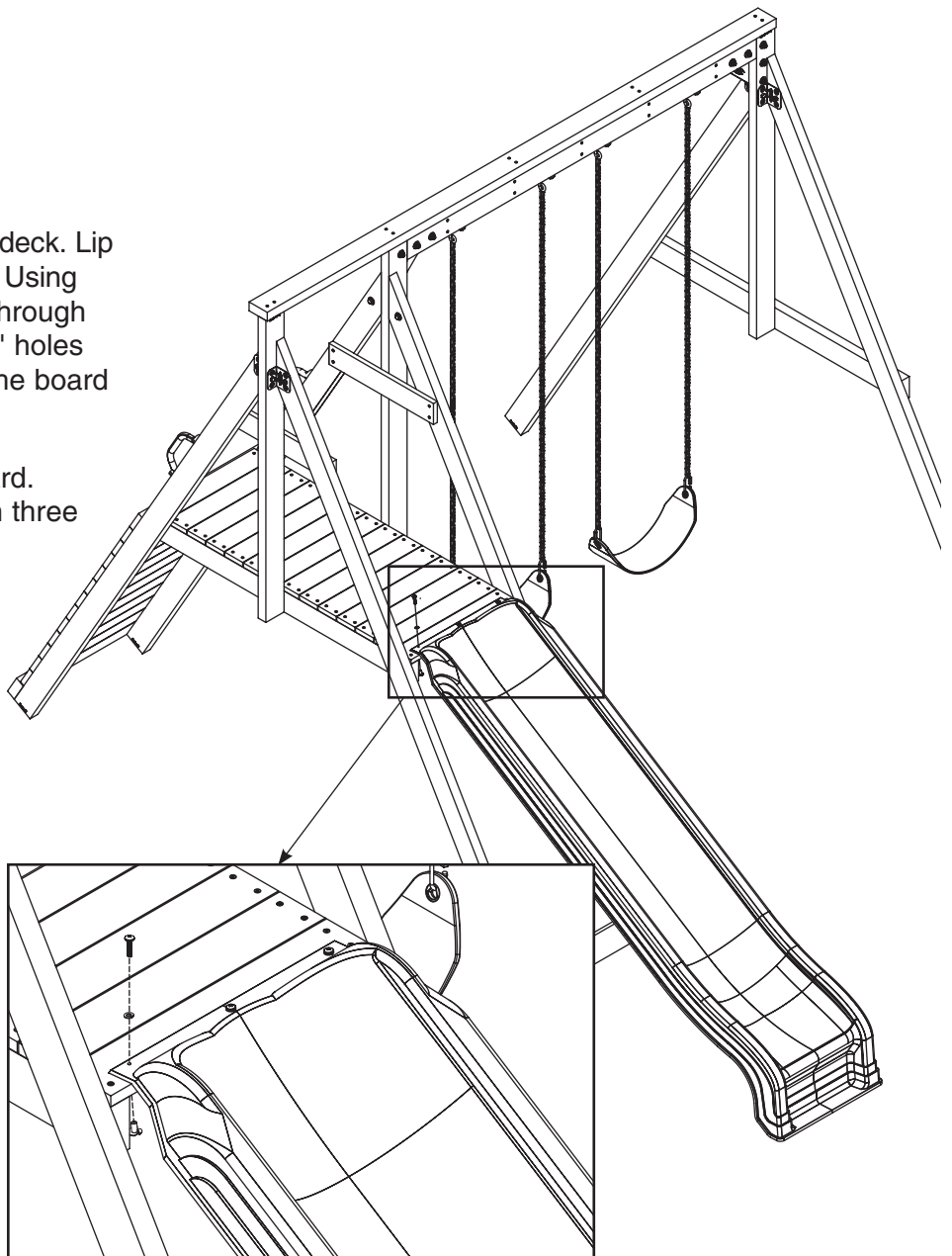
Align slide at right angle (90°) to 48" play deck. Lip of slide should rest on the play deck 1 1/2". Using the slide as a template, mark play deck through the three holes in the slide. Drill three 1/4" holes through the slide and 3/8" holes through the board at marked location.

Hammer in t-nuts from under side of board. Attach slide temporarily to play deck with three 1/4" x 1" machine screws and t-nuts.

Prepare level area where slide touches ground that is 1" below surrounding grade.

Locate and mark the ground on the back side, on either side of the star. Remove slide and screw Playset Anchor into the ground (a long screwdriver will help). Screw the anchor deep enough so that the loop at the top of the anchor will be flat against the back surface of slide when the slide is in the final position.

Reinstall slide permanently, attaching it to play deck using 1/4" x 1" machine screws and 1/4" split lock washer provided.



Items for **STEP 15:**

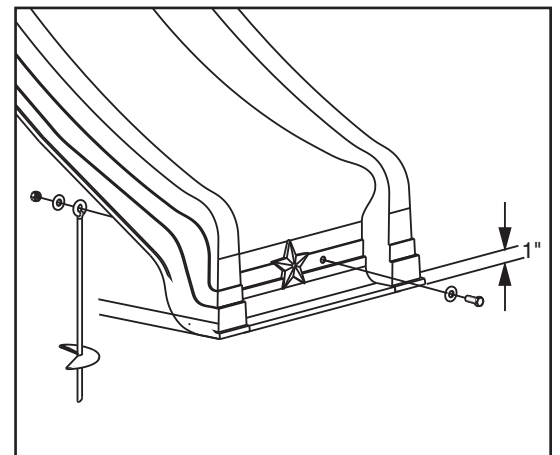
- (1) Playset Anchor
- (1) 3/8" x 1" hex bolt
- (2) 3/8" washers
- (1) 3/8" lock nut

Use the Playset Anchor as a drill guide and drill a 3/8" hole completely through the slide. Attach slide to anchor with one 3/8" x 1" hex bolt, two 3/8" washers and one 3/8" lock nut.

Fill in around bottom of slide to make surface level to surrounding grade.

Caution: *Failure to anchor the Slide properly could cause serious injury from children lifting the slide.*

Caution: *Do not install this slide over concrete, asphalt, packed earth, or any other hard surface. A fall onto a hard surface can result in serious injury to the equipment user.*



COMPONENTS – Mounting Instructions

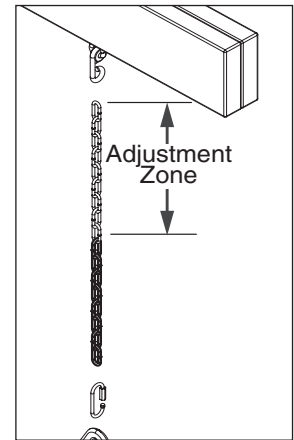
SWING SEAT

1. Attach coated ends of chains onto play component using Quick-Link Connectors provided. Tighten securely with an adjustable wrench.
2. Hook uncoated ends of chain onto Swing Hangers provided.
3. Customize the height of your swing anywhere in the *Adjustment Zone*, to fit your child.

Warning: Failure to tighten Quick Links securely could result in injury.

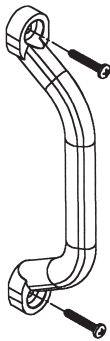


Swing Chain Spacing:
10" minimum spacing is required from the closest point of all other rides or stationary objects.



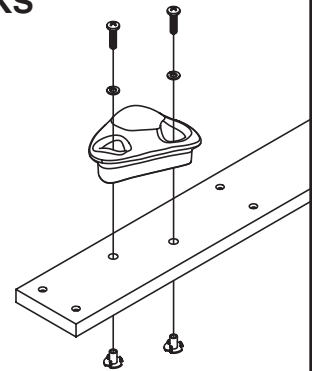
PLAY HANDLES

1. Position Play Handle at desired location.
2. Mark pilot holes.
3. Drill $\frac{1}{8}$ " holes 1" deep.
4. Secure with #14 x $1\frac{1}{4}$ " pan head screws.



CLIMBING ROCKS

1. Position rocks at desired location.
2. Mark pilot holes.
3. Drill $\frac{3}{8}$ " holes completely through boards.
4. Hammer in T-nuts from back side.
5. Secure with two $\frac{1}{4}$ " x 1" machine screws and $\frac{1}{4}$ " split lock washers.



Thank You for choosing PlayStar. Because it is our intention to make this a positive family experience, we have taken great care in preparing this product. Should you have any questions, or if we can assist you in any way, please call our friendly Customer Service Department for immediate action.

Do not return to the store.

Please call us Toll Free at 1-888-PLAYSTAR
(752-9782)

Monday through Friday, 8:00 A.M. to 5:00 P.M. C.S.T.

Ask for Customer Service. **We Will Gladly Help!**



PlayStar, Incorporated, Janesville, WI 53547

© 2010, 2007, PlayStar, Inc. Reproduction of this document in part or whole is prohibited without the permission of PlayStar, Inc.

Protected by one or more of the following United States or Foreign Patents: US D418,189; US D409,708; US D424,154; US D428,637; US 6,402,663; US D422,332; US D410,059; US 6,068,557; US 6,302,801; US 6,482,095; US 6,039,654; US D410,060; US D424,649; US 6,361,445; CA 2,304,345; US 6,540,645; US 6,709,365; US 6,942,600; US D513,779; US 6,991,550; CA D109,228; CA D109,224; CA D109,225; CA 2,304,113; US 6,629,907; US D517,636; US D518,530; US D520,590; US 520,591; US D534,613; US 7,186,183; US 7,189,034; US 7,253,951; US D548,760; US 7,304,810; CA D109,227; CA D109,226; CA D112,355; CA D113,437; CA D114,067; CA D114,068; CA 2,304,896; CA D119,674; US D573,222; US 7,419,437; CA 2,304,068; CA 2,488,576; US D580,507; US D585,570; CA 2,490,923; CA 2,304,341; US 7,594,875; CA 2,304,043; CA 2,529,276; CA 2,633,628; CA 2,633,056; US 7,594,875; CA 2,498,701